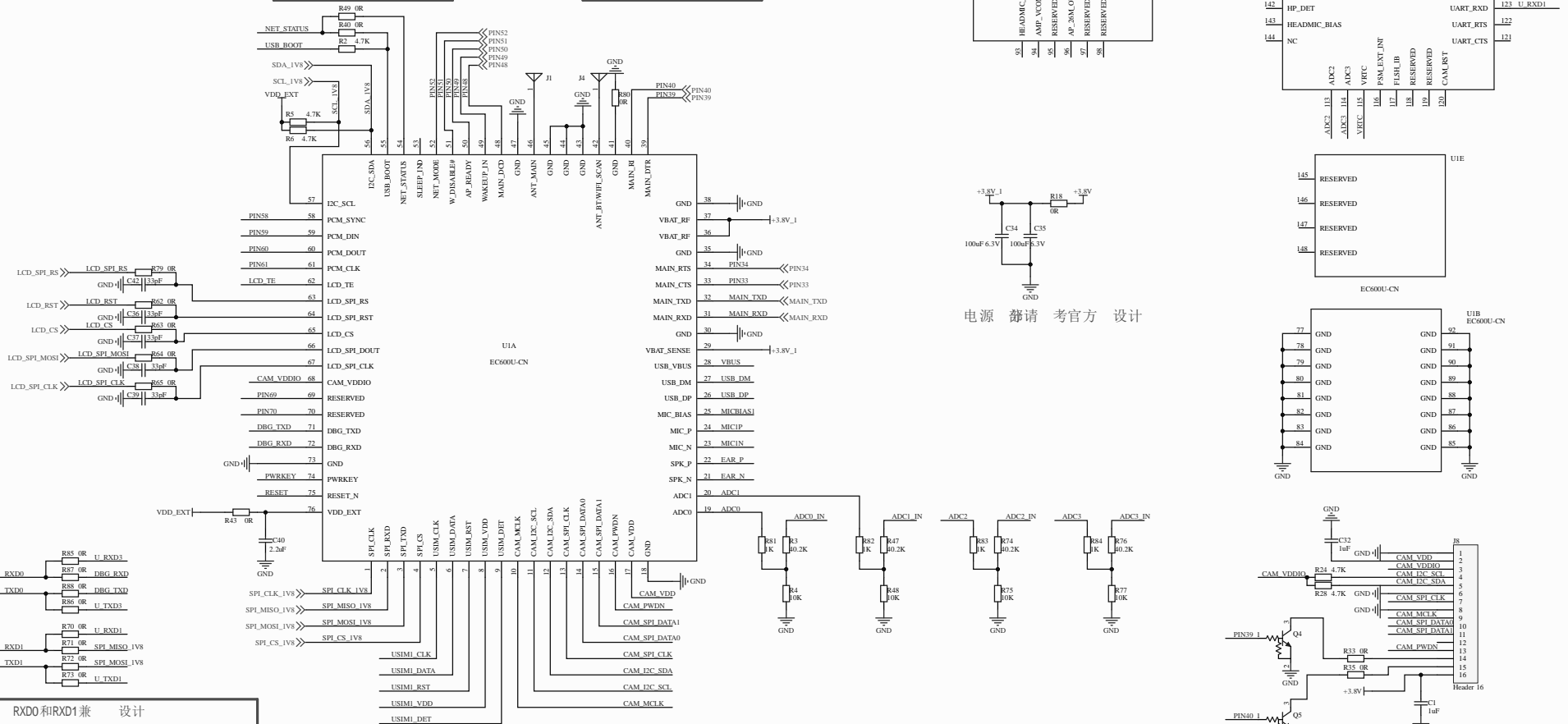


EC600U/G R49  
EC600N/M R40

EC600U/G R80  
EC600N/M/R80

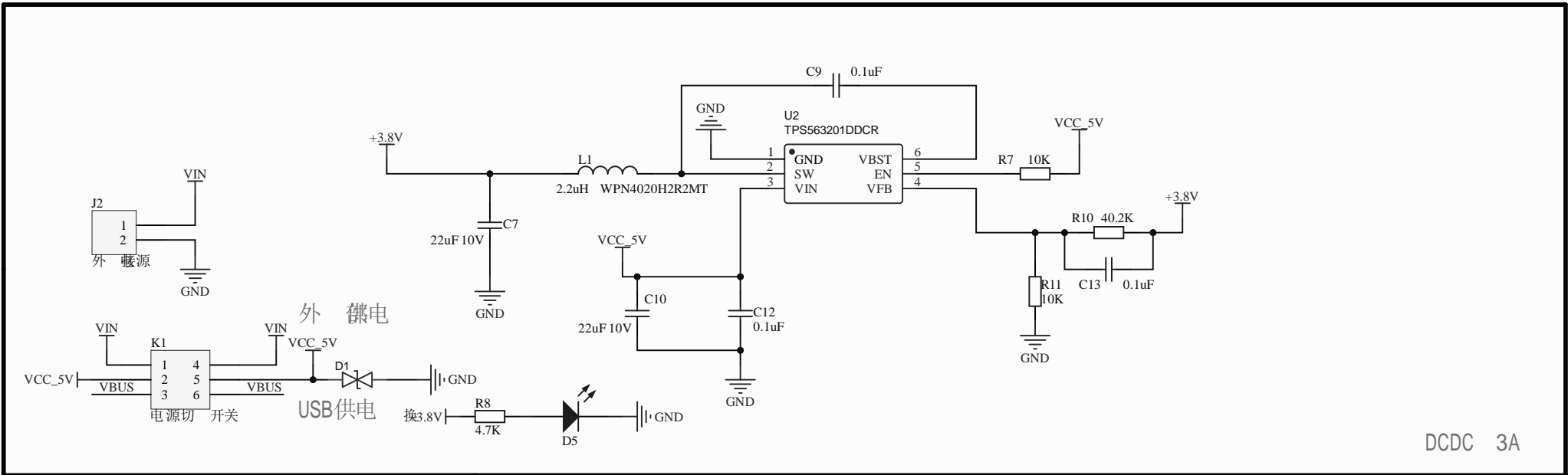


电源 请 考官方 设计

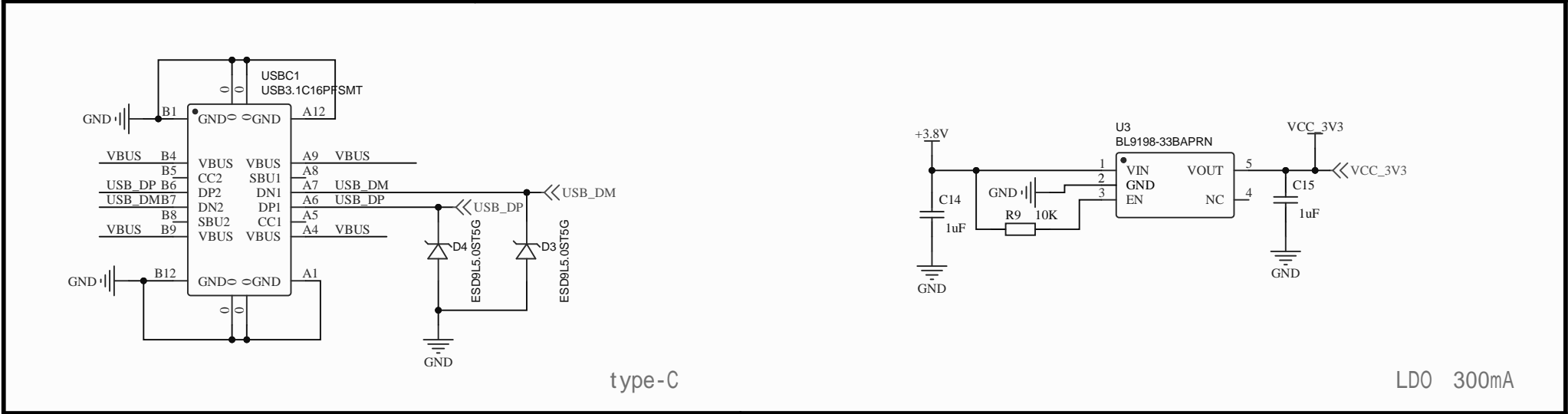
RXDO和RXD1兼 设计  
EC600U/G焊R70、R73、R85、R86  
EC600N/M焊R71、R72、R87、R88

容

Title		EC600X QuecPython	
Size	Number	QUECTEL_LOGO	Revision
Drawn	Date	3-31-2023	Sheet of
File	Path	G:\项目\1.1\EC600S_SchDoc	Drawn By:



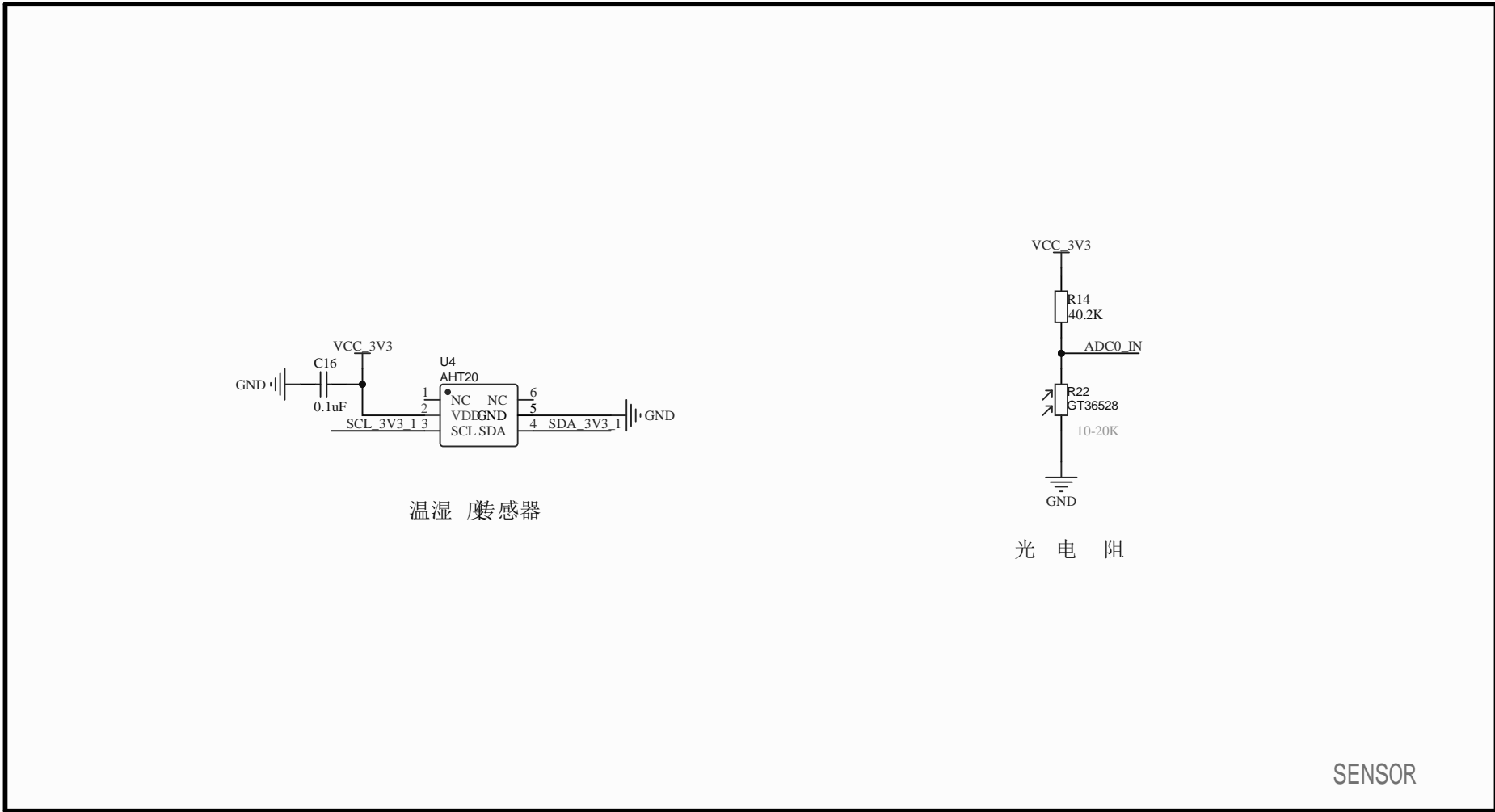
DCDC 3A



type-C

LDO 300mA

Title		
Size A4	Number	Revision
Date: 3-31-2023	Sheet of	
File: G:\项目\...\2.POWER.SchDoc	Drawn By:	



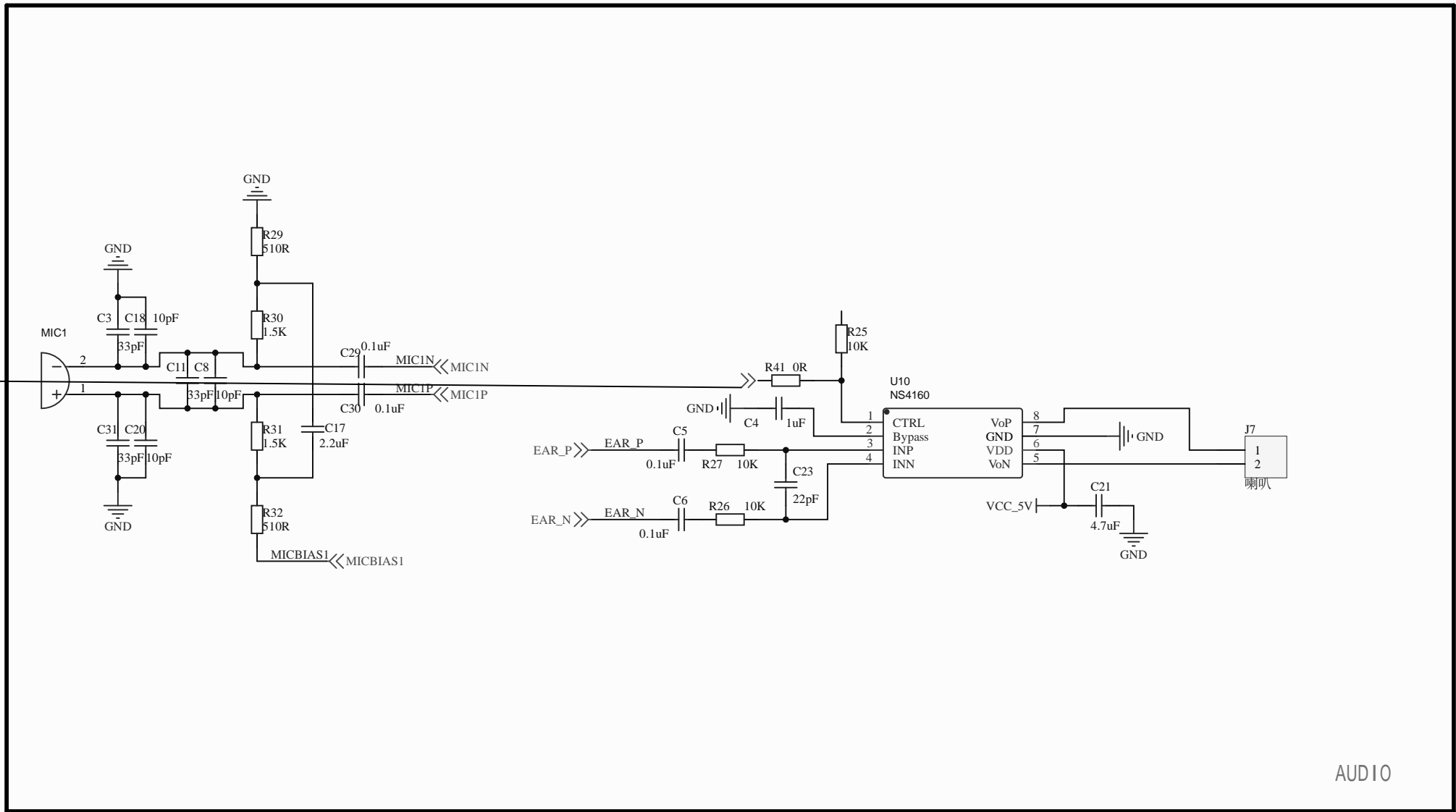
温湿度传感器

光电阻

SENSOR

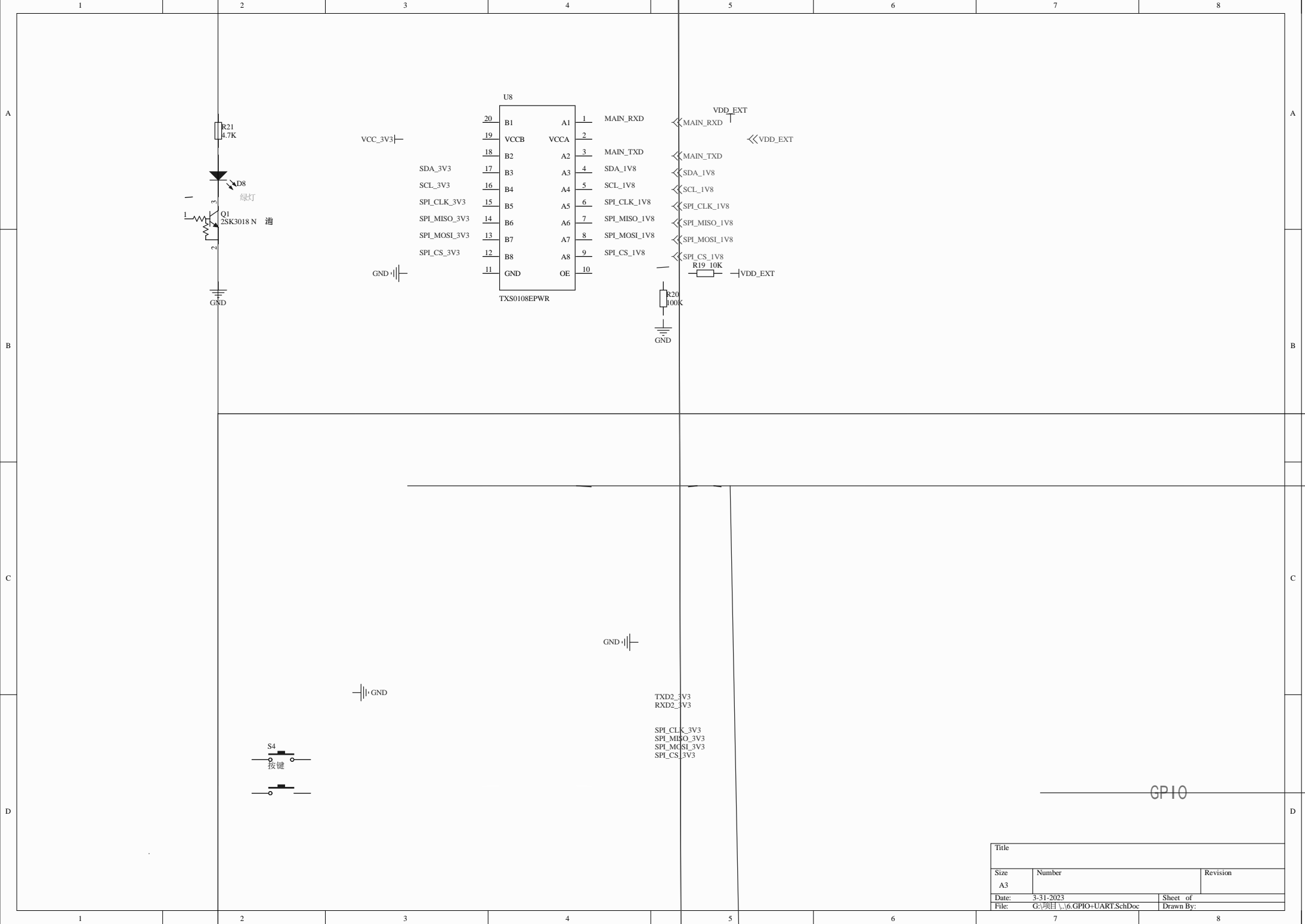
Title		
Size	Number	Revision
A4		
Date:	3-31-2023	Sheet of
File:	G:\项目\..\3.SENSOR+EEPROM.SchDoc Drawn By:	





AUDIO

Title		
Size	Number	Revision
A4		
Date:	3-31-2023	Sheet of
File:	G:\项目\...\5.AUDIO.SchDoc	Drawn By:



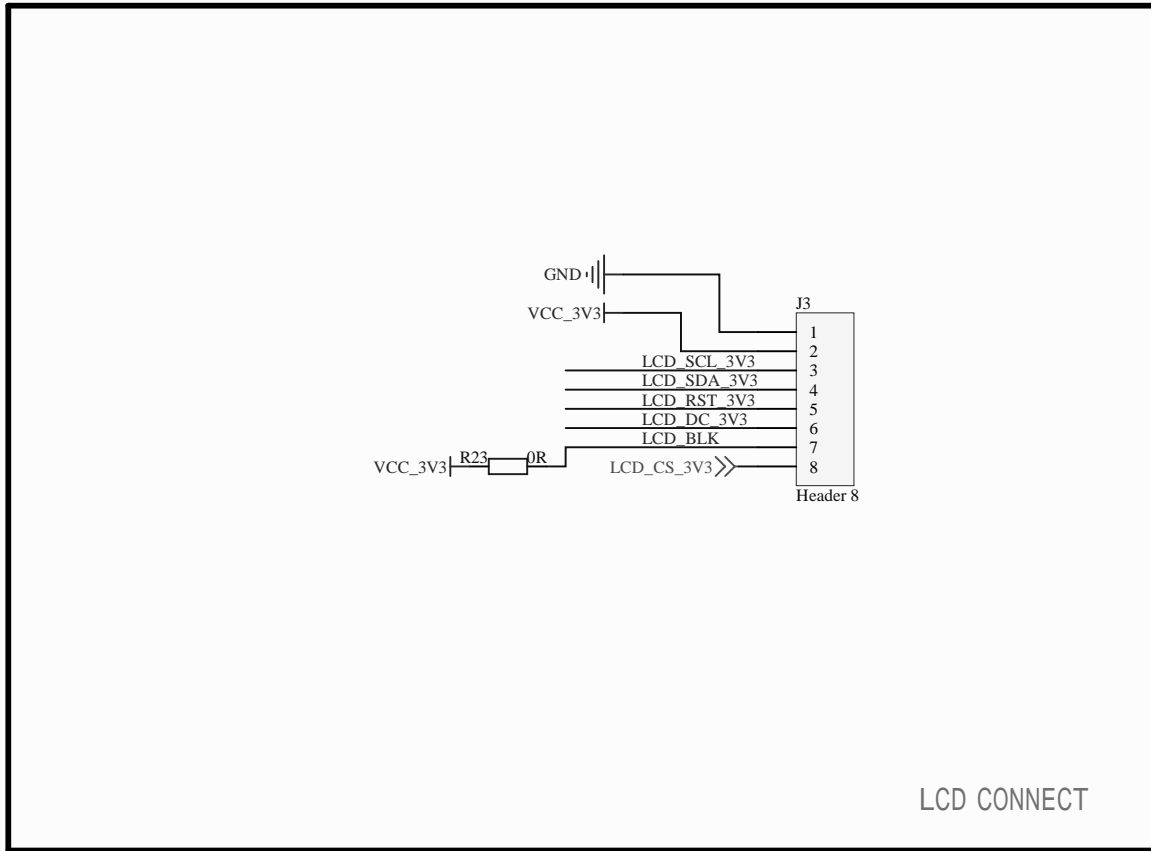
U8

20	B1	A1	1	MAIN_RXD
19	VCCB	VCCA	2	
18	B2	A2	3	MAIN_TXD
17	B3	A3	4	SDA_1V8
16	B4	A4	5	SCL_1V8
15	B5	A5	6	SPI_CLK_1V8
14	B6	A6	7	SPI_MISO_1V8
13	B7	A7	8	SPI_MOSI_1V8
12	B8	A8	9	SPI_CS_1V8
11	GND	OE	10	

TXS0108EPWR

Title		
Size	Number	Revision
A3		
Date:	3-31-2023	Sheet of
File:	G:\项目\6.GPIO+UART.SchDoc	Drawn By:

GPIO



Title		
Size	Number	Revision
A4		
Date:	3-31-2023	Sheet of
File:	G:\项目\...\7.LCM.SchDoc	Drawn By: